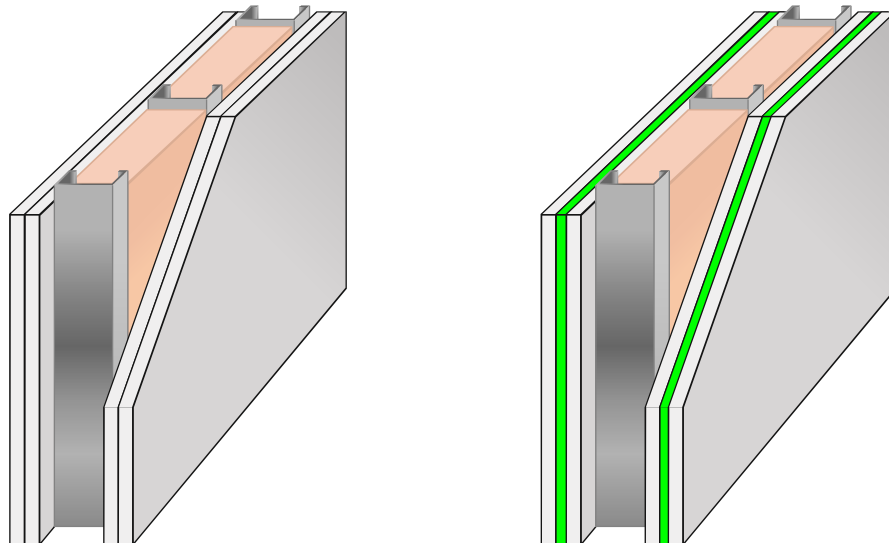


## Green Glue in a Steel Stud Wall Assembly

The Green Glue Company is pleased to present data for steel stud walls of nominally identical construction with and without Green Glue.

The data was collected at Orfield Laboratories, an independent NVLAP accredited lab in Minneapolis, MN, in 2005 and 200.

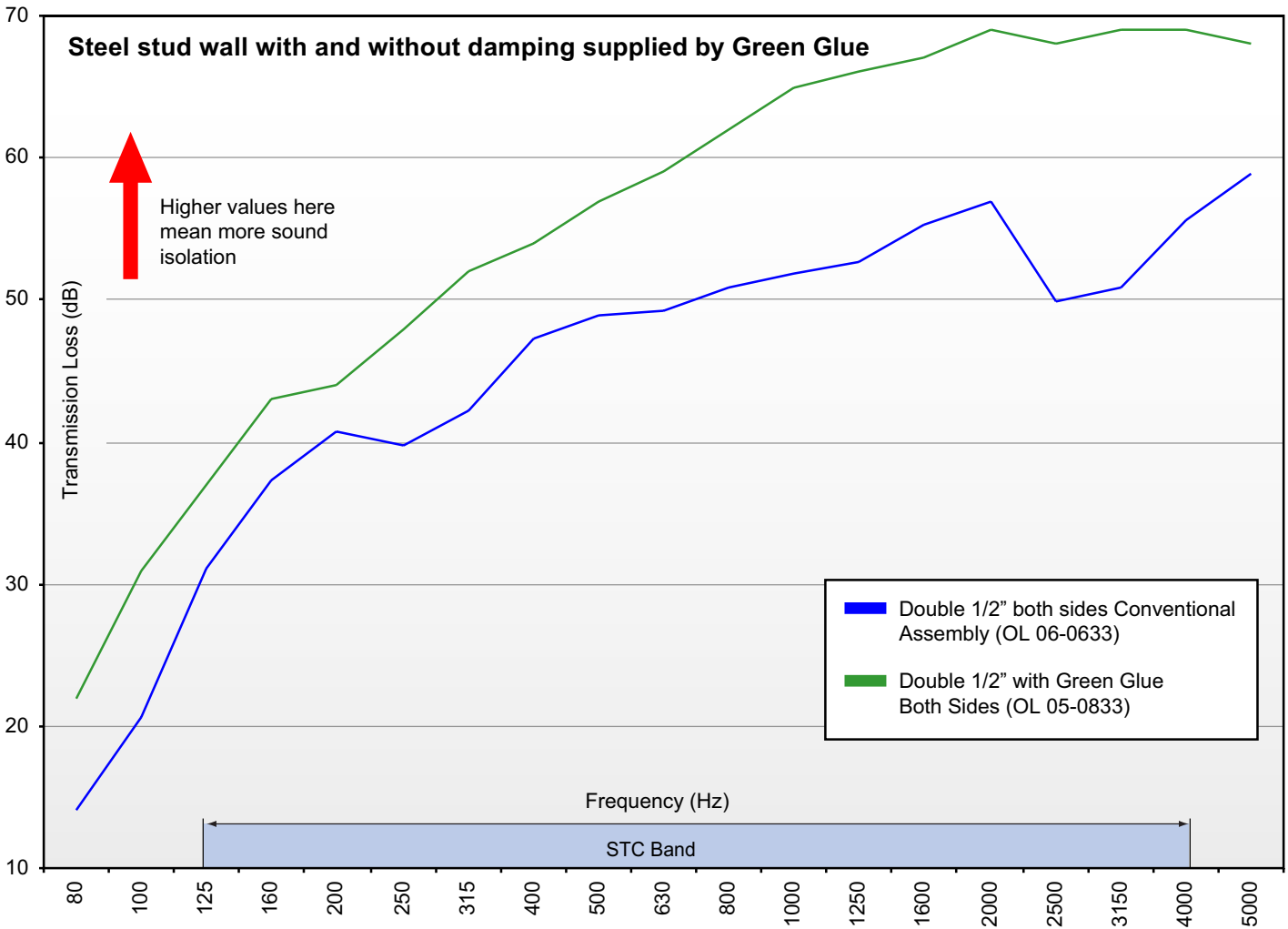
### Test Description: Steel stud walls were tested with and without Green Glue.



	Conventional Assembly II	Green Glue Assembly II
Source Side:	2x 1/2" drywall	2x 1/2" drywall, laminated with the recommended application of Green Glue
Wall Framing:	3 5/8" 25 gauge steel studs, 24" on-center	3 5/8" 25 gauge steel studs, 24" on-center
Insulation:	3.5" fiberglass insulation	3.5" fiberglass insulation
Receiving Wall:	2x 1/2" drywall	2x 1/2" drywall, laminated with the recommended application of Green Glue
Test Number	OL 06-0633	OL 05-0833

Wall configurations, from source room to receive room:

Official lab reports are available; the applicable test numbers are given in the chart below



### STEEL STUDS COMPARISON

Green Glue has proven effective with steel studs. The assemblies we've tested were 25 gauge steel studs, 24" OC, 3.5" of fiberglass insulation and double drywall on both sides.

Wall Setup	STC	OITC	Rw	Rw + Ctr*
<b>Conventional</b>	50	32	49	40
<b>Green Glue</b>	59	40	58	49

\* Rw + Ctr is a measure of sound isolation common in Europe

#### Summary:

As with wood stud walls, Green Glue has proven its worth in more flexible steel stud constructions.

Green Glue's outstanding fire performance also allows steel stud wall constructed for fire purposes to maintain their fire rating, while exhibiting notably improved sound isolation.

Copyright 2006 Green Glue Company LLC  
 No part of this document may be reproduced, in whole or in part, without the specific written permission of Green Glue Company LLC.